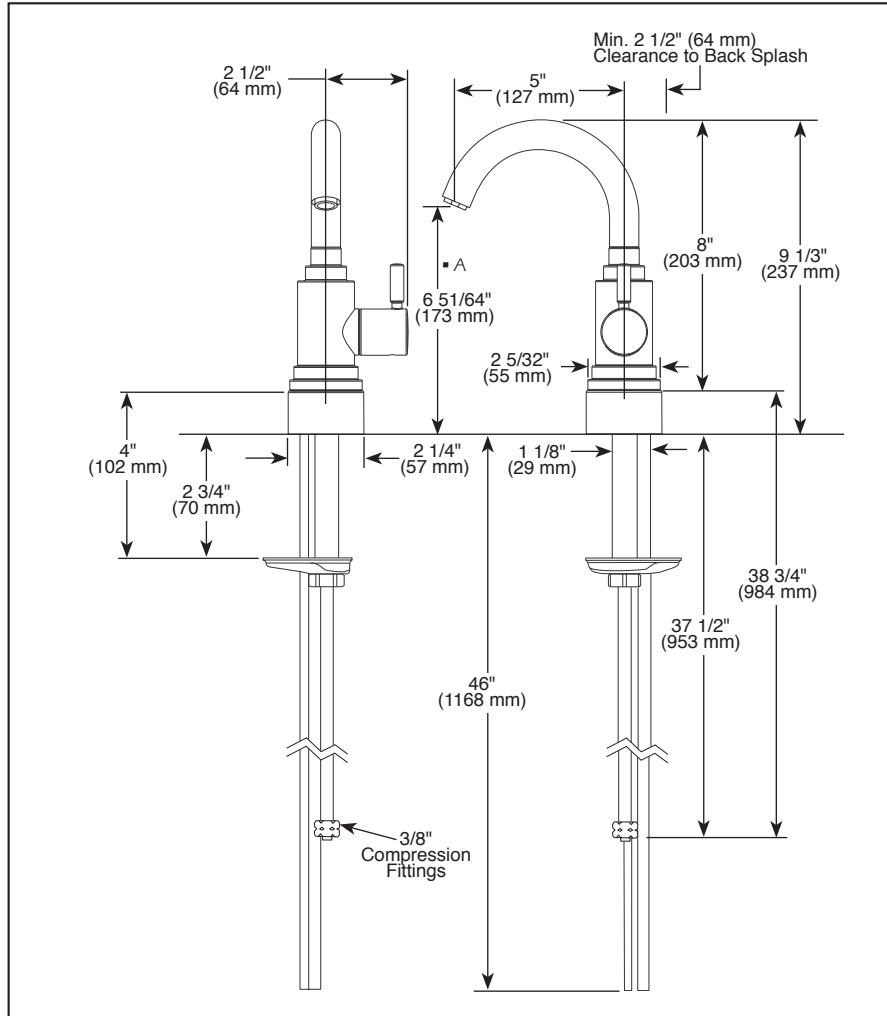


61320LF▲

Submitted Model No.: _____

Specific Features: _____



▲ Designate proper finish suffix

BRIZO®

COLD WATER TAPS

- Beverage Faucet Collection
- Single Handle Deck Mount
- 1 Hole Sink Applications
- Diamond Seal® Technology
- Integrated Supply Tubes
- Air Gap Included
- Compatible with RO (Reverse Osmosis) Systems
- Traditional or Euro Styles Available


STANDARD SPECIFICATIONS:

- 9 1/3" (237 mm) high, 5" (127 mm) long, spout swings 360°.
- Single lever handle design.
- Diamond™ seal technology.
- Works with RO systems, filtered water systems, or as a cold water tap.
- Laminar water stream with 1.50 gpm @ 60 psi, 5.7 L/min @ 414 kPa
- 4" (102 mm) maximum deck thickness (2 3/4" (70 mm) with air gap).
- Mounting wrench to assist in tightening mounting nut securely.
- Integrated supply tube with 3/8" compression fitting.
- Air gap included with 1/4" tube for RO system and 3/8" tube for drain.

WARRANTY

- Lifetime limited warranty on parts (other than electronic parts and batteries) and finishes: or, for commercial users, for 5 years from date of purchase.
- 5 year limited warranty on electronic parts (other than batteries); or, for commercial users, for 1 year from the date of purchase. No warranty is provided on batteries.

COMPLIES WITH:

- ASME A112.18.1 / CSA B125.1
- ASME A112.18.6
-  Indicates compliance to ICC/ANSI A117.1
- Verified compliant with .25% weighted average Pb content regulations.

Brizo Kitchen & Bath Company reserves the right (1) to make changes in specifications and materials, and (2) to change or discontinue models, both without notice or obligation. Dimensions are for reference only. See current full-line price book or www.brizo.com for finish options and product availability.

BSP-K-61320LF Rev. B

Brizo Kitchen & Bath Company
Indianapolis, Indiana 46280
A Division of Masco Corporation of Indiana
© 2015 Brizo Kitchen & Bath Company